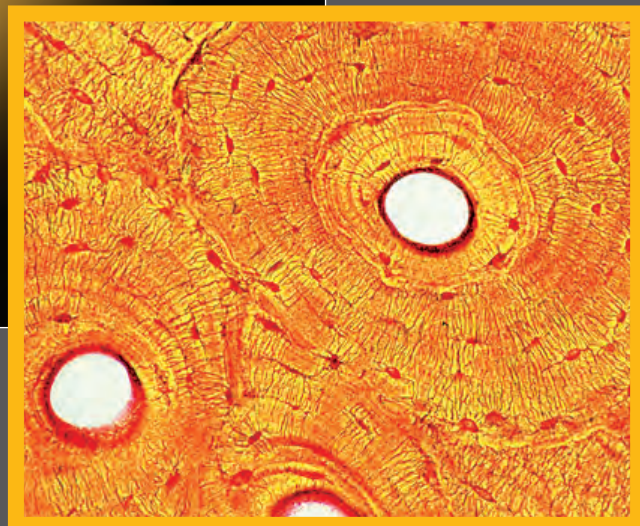


CXL

Educational Microscopy

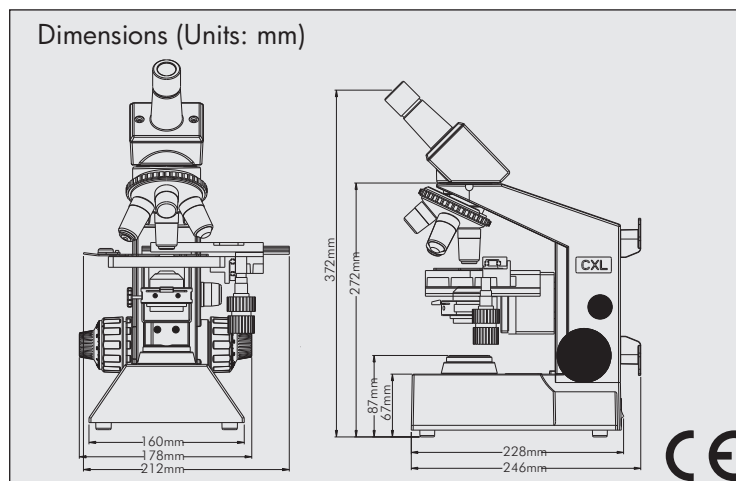


LABOMED
ideas for vision

CXL Educational Microscope

Item	Specifications
- Stand	Sturdy stand with convenient location of focus controls
- Viewing Body	Monocular tube, 45° inclined, 360° rotatable
- Eyepiece	Integrated wide field eyepiece 10x/18mm with foldable eyeguard, anti fungus coating
- Nosepiece	Quadruple Nosepiece , with ball bearings with rubber grip
- Objectives	EP series DIN Semi Plan Achromatic objectives 10x, 40x (spring loaded), 100x (spring loaded, oil), anti fungus, (4x objective optional)
- Stage	Mechanical stage 135 x 125mm with low drive co-axial control. Ball bearing slides with graduated scale. SS holder for slide 75 x 50mm movement.
- Focusing	Coaxial coarse and fine focusing system with ball bearing guideways
- Condenser	ABBE condenser N.A. 1.25 with aspheric lens. Iris diaphragm with snap in blue filter
- Illumination	6V/20W halogen or LED illumination with variable electronic intensity control.
- Electrical	Input 220V - 240V AC, CE Approved

Specifications



Configurations

Description	Configuration
Halogen Standard, 20W	Monocular
LED Standard	Monocular

N.K. Jain Instruments Pvt. Ltd.

15, Industrial Estate,
Ambala Cantt. - 133 006
Haryana, INDIA
Tel: 0171 2699315/2699015
Fax: 0171 2699316
email: info@labomedindia.com
Website: www.labomedindia.com



Distributor

